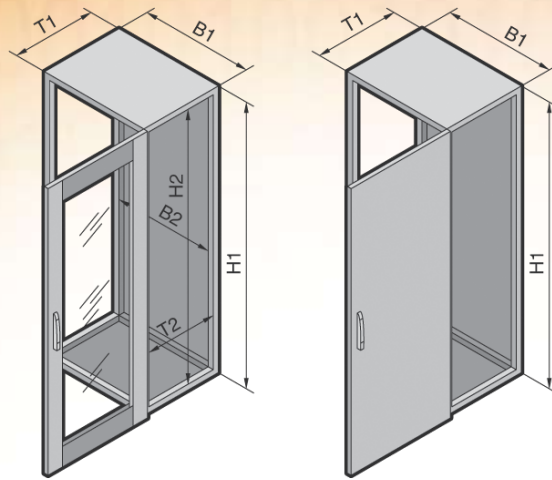




**Falcon**<sup>®</sup>  
ELECTRONICS (PTY)LTD

## AdleRac<sup>®</sup> IP Rack



### Key Features

Sheet steel door at front (180°), with comfort handle for semi-cylinder and security lock 3524E; sheet steel door at rear (130°) with handle and security lock 3524 E.

Material:	
Sheet steel	
Surface finish:	
Enclosure frame:	Dipcoat-primed
Doors and roof:	Dipcoat-primed, powder-coated in RAL 7035
Gland plates and punched sections with mounting flanges:	Zinc-plated, passivated
Supply includes:	
Enclosure frame with doors, roof plate, multi-piece gland plate, 2 punched sections with mounting flanges in the enclosure depth.	

Detailed drawing available on the Internet.

### Technical Specifications

U	38	38	38	38	42	42	42
Width (B1) mm <sup>1)</sup>	600	800	800	800	600	600	600
Height (H1) mm <sup>1)</sup>	1800	1800	1800	1800	2000	2000	2000
Depth (T1) mm <sup>1)</sup>	900	600	800	1000	600	800	900
Clearance width (B2) mm	512	712	712	712	512	512	512
Clearance height (H2) mm	1712	1712	1712	1712	1912	1912	1912
Clearance depth (T2) mm	812	512	712	912	512	712	812
Model No. DK, type 1 with designer glazed door at the front	7920.620 <sup>3)</sup>	7920.640 <sup>3)</sup>	7920.650 <sup>3)</sup>	7920.670 <sup>3)</sup>	7920.700 <sup>3)</sup>	7920.710 <sup>2)3)</sup>	7920.720 <sup>3)</sup>
Model No. DK, type 2 with sheet steel door at the front	7821.620 <sup>2)</sup>	7821.640 <sup>2)</sup>	7821.650	7821.670 <sup>2)</sup>	7821.700	7821.710 <sup>2)</sup>	7821.720

#### Head Office, Johannesburg:

Falcon House, 8 Simmonds Street  
Cnr. Webber Street Selby 2001  
Johannesburg, South Africa  
Tel (S-board): +27 (0) 11 630 1000  
Fax : +27 (0) 11 630 1229  
E-mail: info@fe.co.za

#### Branches:

Cape Town, Durban, Bloemfontein, Port Elizabeth

[www.falconelectronics.co.za](http://www.falconelectronics.co.za)

- 1) All sizes given are nominal dimensions. For absolute dimensions, please refer to the detailed drawing on the Internet.
- 2) Delivery times available on request.
- 3) Glazed aluminium door, delivery times available on request.