

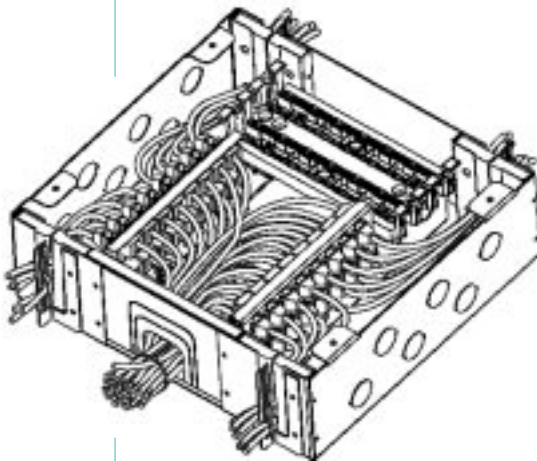
SYSTIMAX®

SOLUTIONS

SYSTIMAX® M32CPP/100HPC Zone Wiring Box

SYSTIMAX® Consolidation Box

The 32-Port Zone Wiring Box provides a connection and distribution point for data and telecom cables in installations requiring a consolidation point. The design includes a 3.35in x 2.566in (85.04mm x 65.18mm) rectangular bottom knockout to be used in conjunction with a standard dual gang electrical box, in addition to twelve 3/4 inch (19.05mm) knockouts for use with conduit.



The size of the M32CPP/100HPC design (13.08" x 14" x 4.25") (33.22cm x 35.56cm x 10.79cm) will allow installation in a variety of plenum spaces such as under floors and above ceilings.

The design has 32 positions that accommodate a variety of M-Series type copper, fiber, and video connectors and an area for a 100-pair 110 IDC blocks. The M32CPP/100HPC has one fire foam entrance and four fire foam exit areas for plenum rated cable (4-pair & 25-pair).

Ordering Information

Product Code	Description	Material ID
M32CPP	32-Port Zone Wiring Box	700188931

Features

- 32-port capacity
- Support copper M-Series outlets, fiber connectors, copper and fiber terminations
- Easy access for terminations, moves, adds and changes
- Designed for mounting in various plenum and non-plenum environments (floor, under floor, surface mount or wall)
- Supports cable / port labeling
- Equipped with removable cover section for cord/label access and doesn't expose horizontal cables

SYSTIMAX[®]

SOLUTIONS

© 2004 CommScope, Inc.
All rights reserved.

Visit our Web site at www.systemax.com or contact your local SYSTIMAX Solutions representative or SYSTIMAX BusinessPartner for more information.
SYSTIMAX Solutions is a trademark of CommScope. All trademarks identified by ® or ™ are registered trademarks or trademarks, respectively, of CommScope.

This document is for planning purposes only and is not intended to modify or supplement any specifications or warranties relating to SYSTIMAX Solutions products or services.